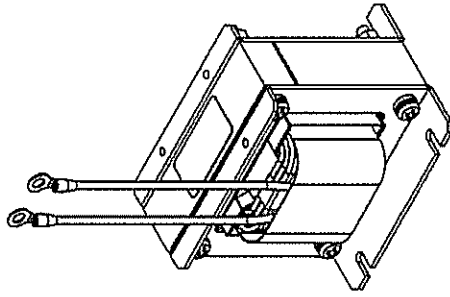
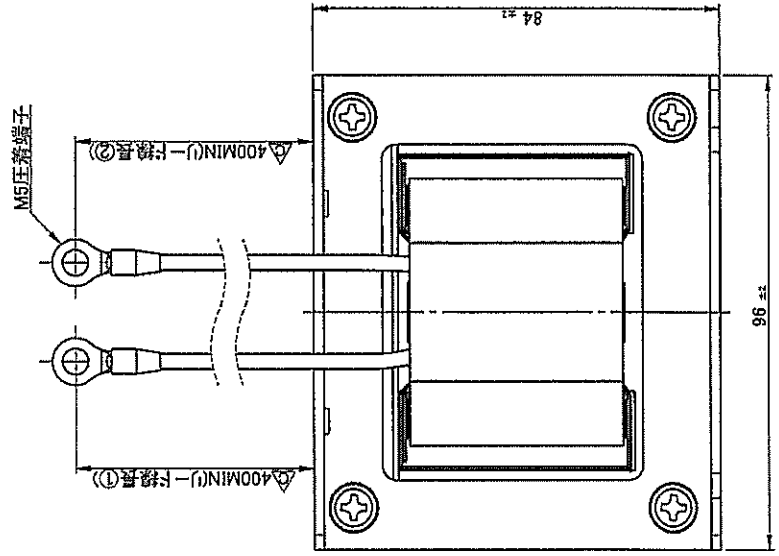
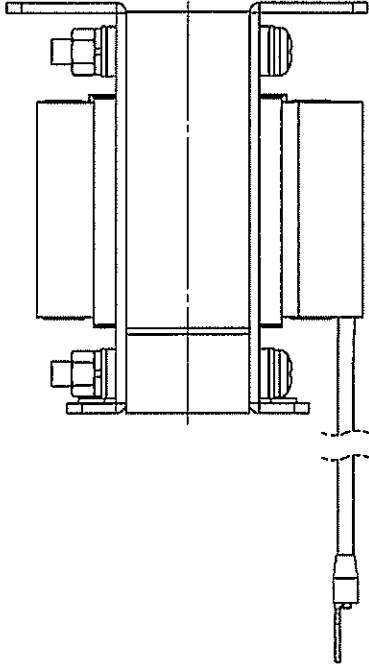
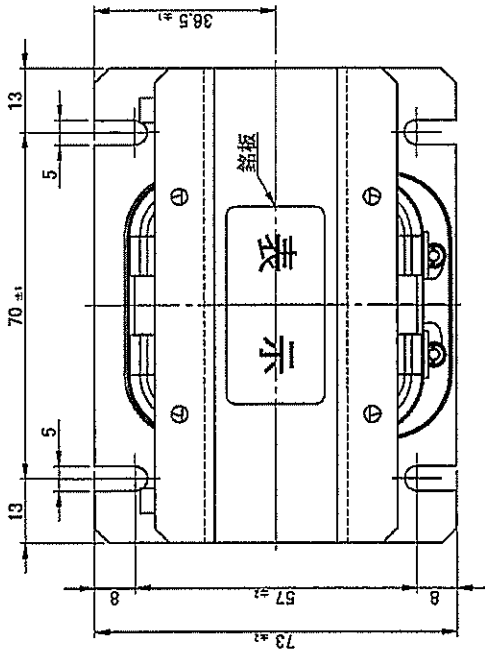


E SPEC						TRX2-S0007		DRG. NO.	
H STL. DEC.	R N C S D.	H S C S D.	A S C D.	A S C D.	A S C D.	PARTS NO.	CITY	MATERIAL	REMARKS
									FINISH
							SCALE	1 / 1	XA-0685 200V-8mH-5AA (T-X010048)
							DATE	DATE	DRG. NO.
							DATE	DATE	E-K2-11208C



図名	図番	材料	数量	単位	備考
TRX2-S0037					
E-K2-11211C					
図名	図番	材料	数量	単位	備考
REP. NAME					
REP. NO.					
REP. DATE					
REP. BY					
REP. CHECK					
REP. APPRO.					
REP. SCALE					
REP. 1/1					
REP. XA-0806					
REP. 200V-300H-18A					
REP. (T-X010049)					

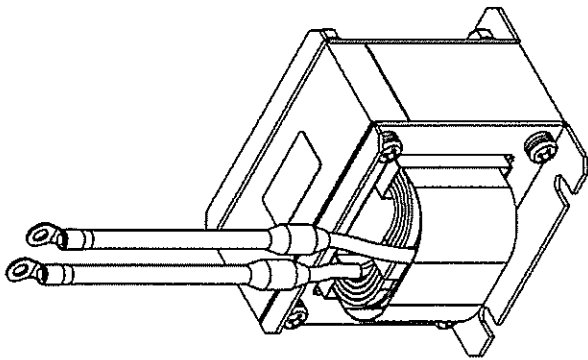
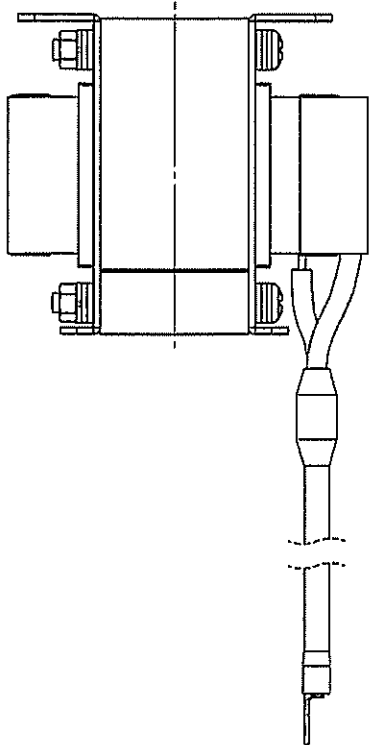
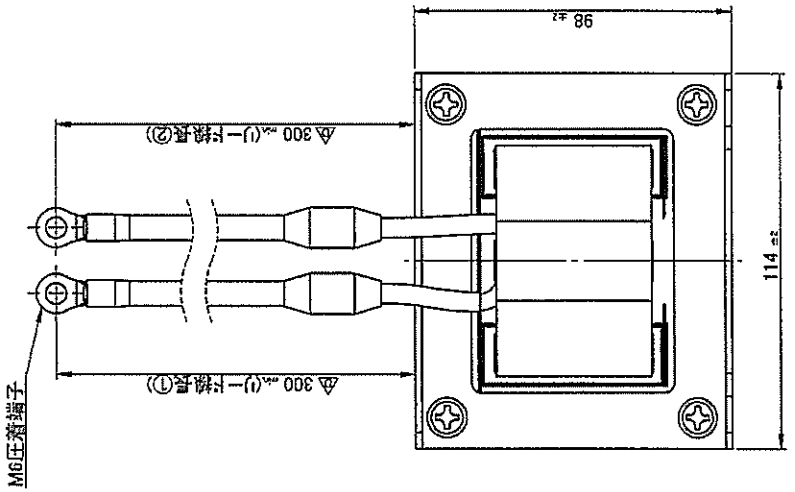
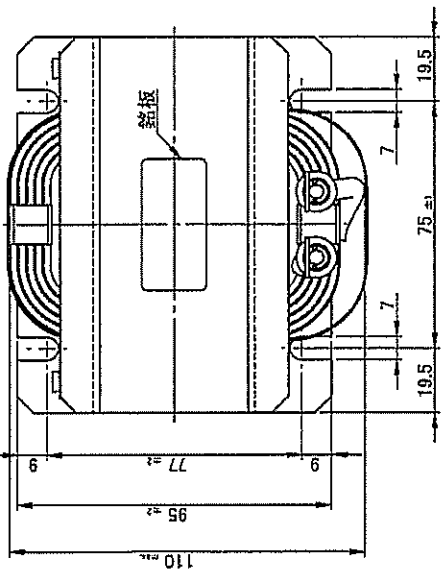
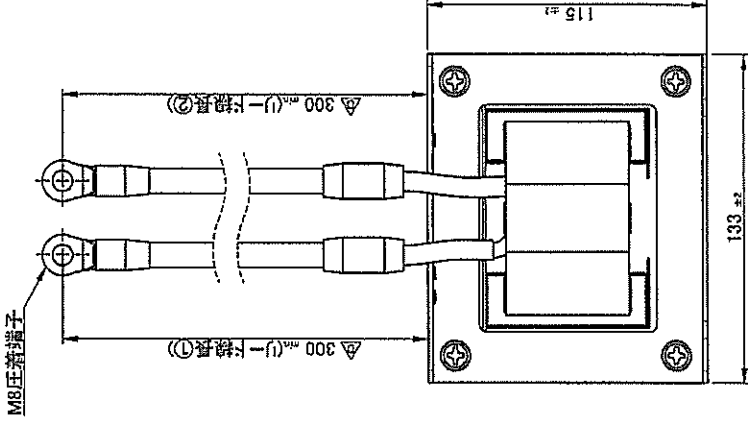
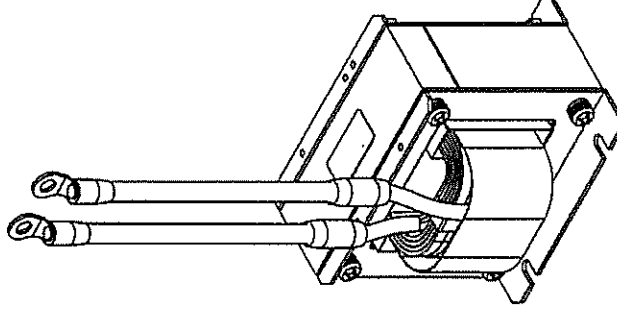
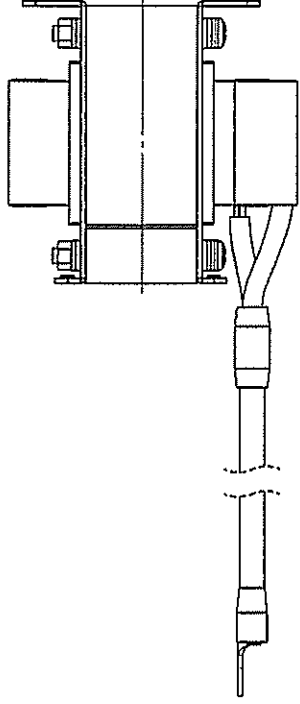
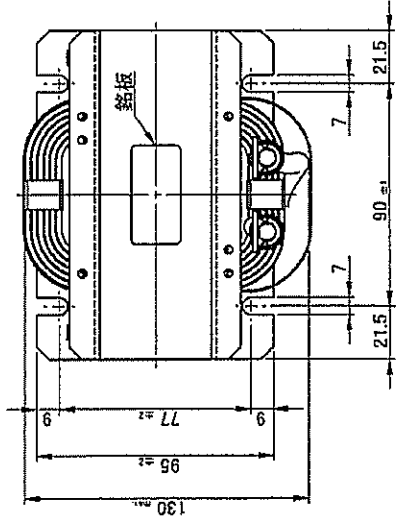
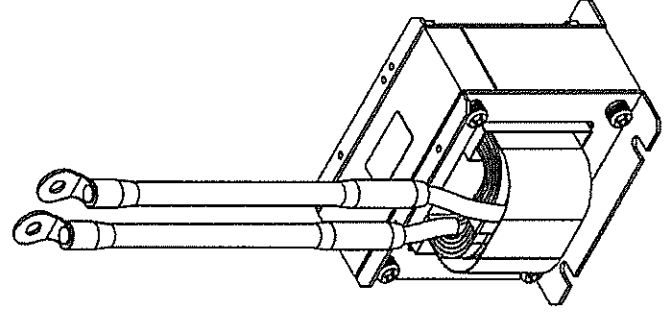
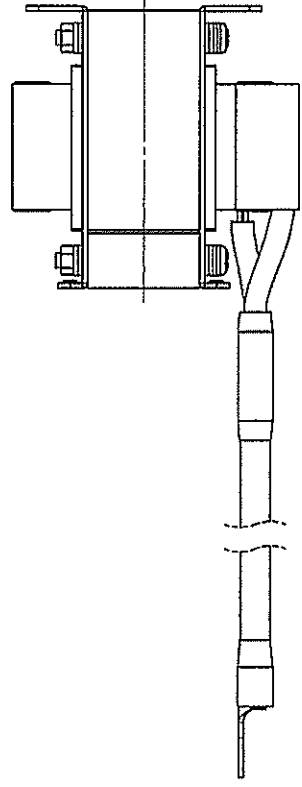
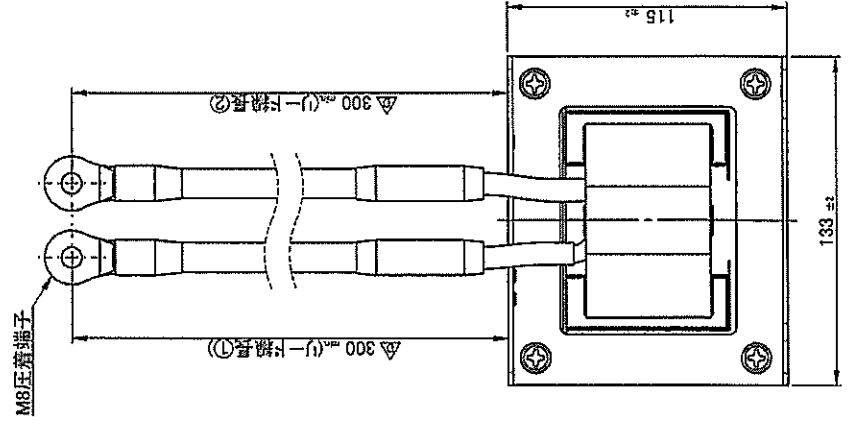
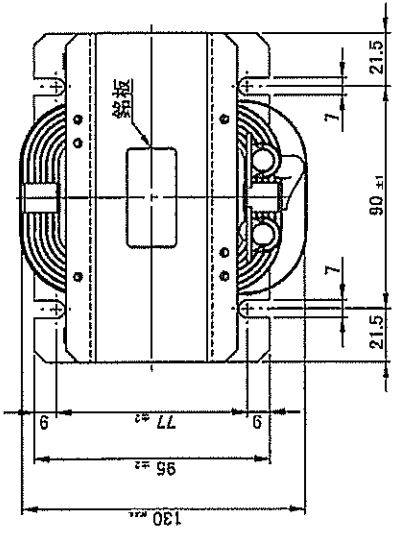


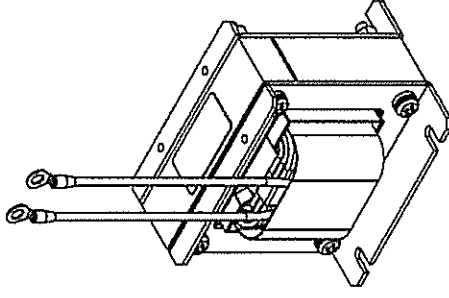
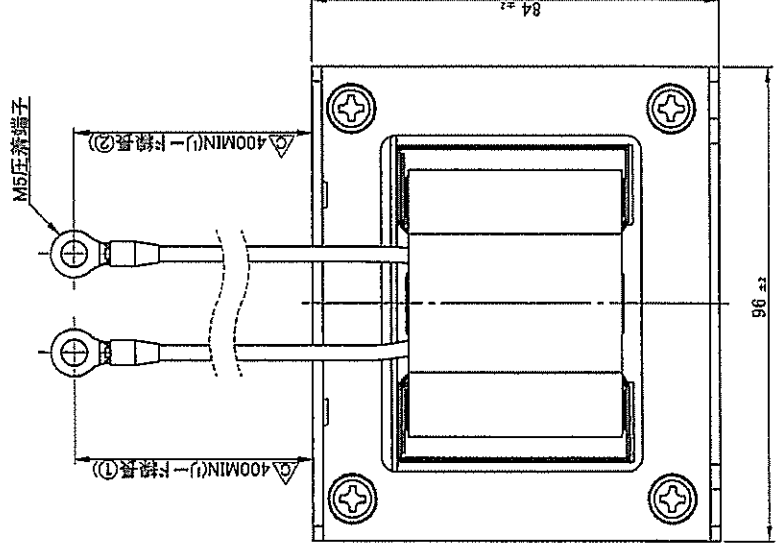
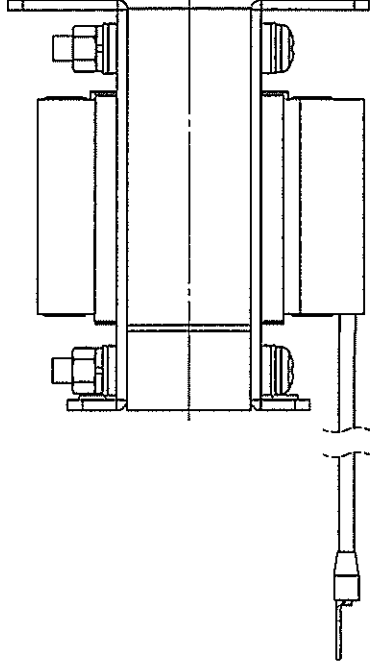
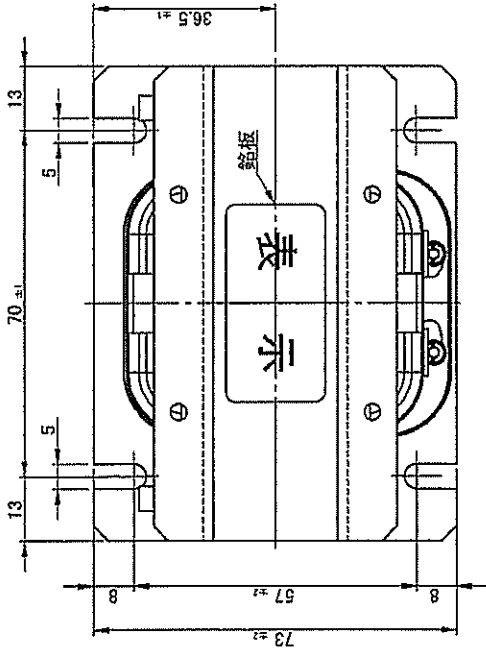
FIG. SYM.		FIG. NO.	SCALE	REMARKS	
W. H. DES.		CHG. NO.	1/1.5	200V-1mH-36A (1-X010050)	
P. I. NO.		CHG. NO.	APPR.		
MATERIAL		QUANTITY	REMARKS		
CORE		W. H. DES.	200V-1mH-36A (1-X010050)		
WINDING		CHG. NO.	APPR.		
TERMINALS		CHG. NO.	APPR.		
INSULATION		CHG. NO.	APPR.		
OTHER		CHG. NO.	APPR.		
REVISIONS		NO.	DATE	REMARKS	
E. K2				TRX2-S0075	
E. K2				E-K2-11214D	



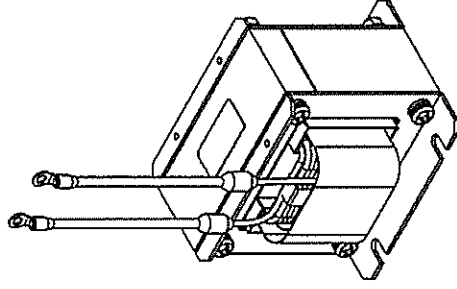
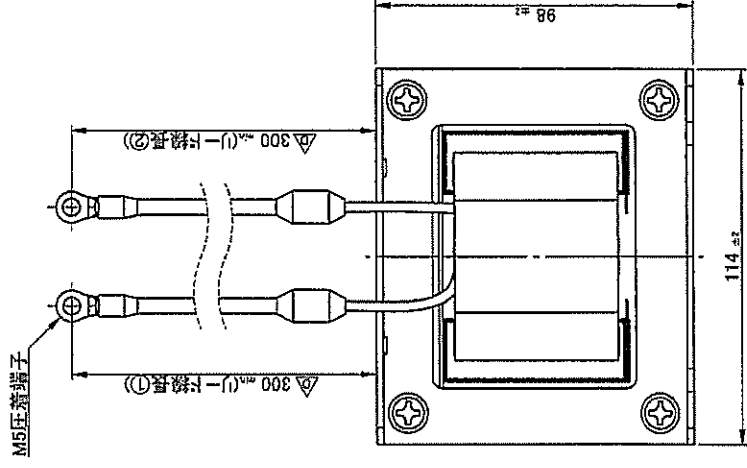
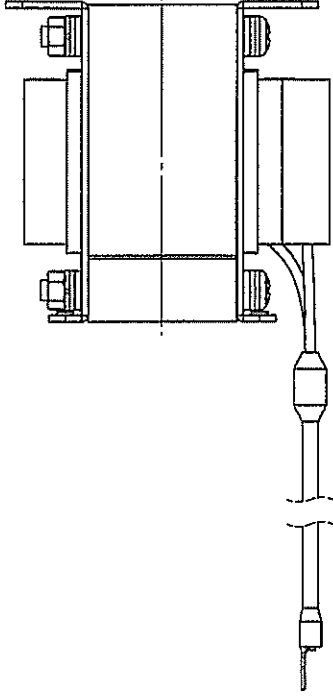
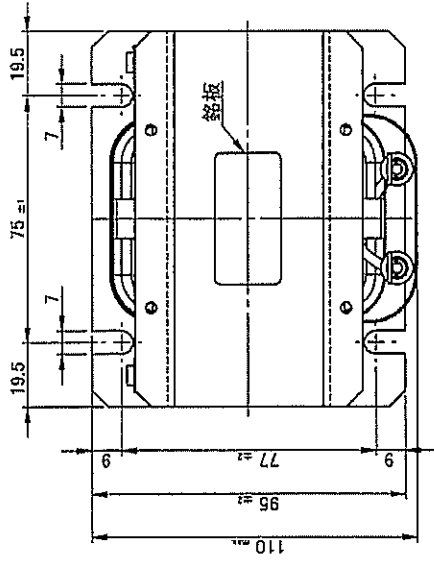
H# REV. REV.		REV.		REV.		REV.	
REV. REV. REV.	SYH. SYH. SYH.	REV. REV. REV.	DEC. DEC. DEC.	N.D. N.D. N.D.	CHKD. CHKD. CHKD.	N.D. N.D. N.D.	APPD. APPD. APPD.
P.N.# PARTS NO. (130)		QTY. QTY.		MATERIAL MATERIAL		REMARKS REMARKS	
SCALE SCALE		1 / 2		200V-0.5mH-72A (T-X010005T)		TRX2-S0150 E-K2-11216D	



品名 NAME	TRX2-S0185	図番 Dwg. No.	E-K2-11217D
仕様 SPEC.	仕様書 SPEC. BOOK	材料 MATERIAL	200V-0.4MHz-90A (T-X01017D)
数量 QTY	数量 QTY	数量 QTY	数量 QTY
寸法 DIM.	寸法 DIM.	寸法 DIM.	寸法 DIM.
部品 PARTS NO.	部品 PARTS NO.	部品 PARTS NO.	部品 PARTS NO.
製造 MFG.	製造 MFG.	製造 MFG.	製造 MFG.
検査 CHKD.	検査 CHKD.	検査 CHKD.	検査 CHKD.
承認 APPD.	承認 APPD.	承認 APPD.	承認 APPD.
縮尺 SCALE	縮尺 SCALE	縮尺 SCALE	縮尺 SCALE
頁数 PAGE	1 / 2	頁数 PAGE	1 / 2
図番 Dwg. No.		図番 Dwg. No.	
品名 NAME		品名 NAME	
仕様 SPEC.		仕様 SPEC.	
数量 QTY		数量 QTY	
寸法 DIM.		寸法 DIM.	
部品 PARTS NO.		部品 PARTS NO.	
製造 MFG.		製造 MFG.	
検査 CHKD.		検査 CHKD.	
承認 APPD.		承認 APPD.	
縮尺 SCALE		縮尺 SCALE	
頁数 PAGE		頁数 PAGE	

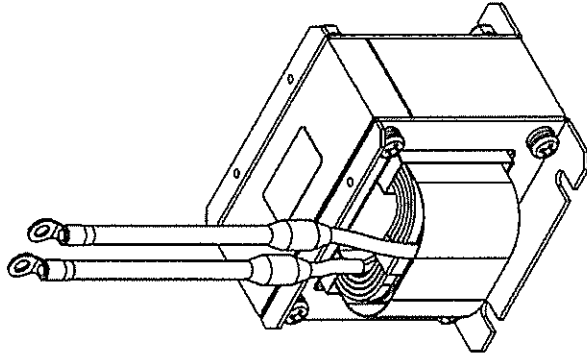
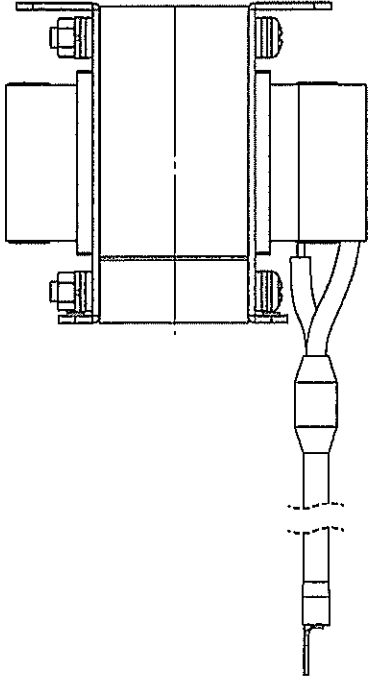
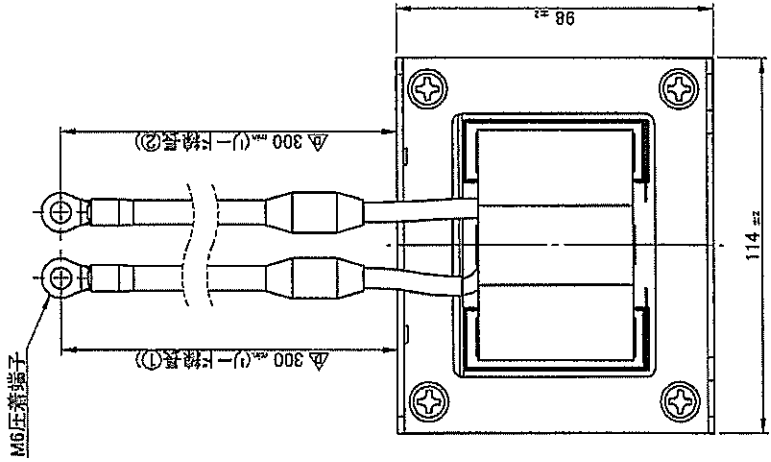
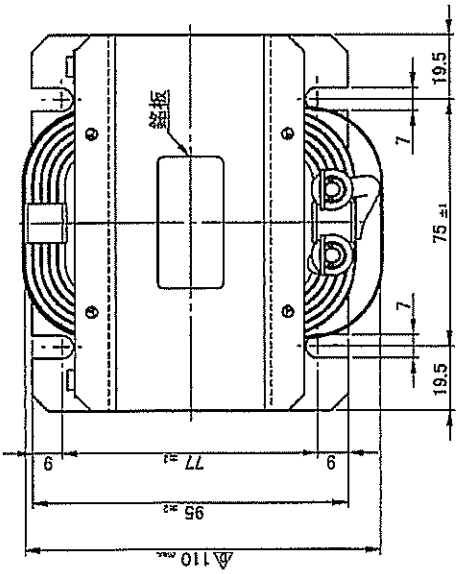


		REVISION		NAME		TRX4-S0037	
		PARTS NO.		REPAIRS		Dwg. No.	
		MATERIAL		REF.		E-K2-11210C	
		SCALE		REF.		XA-0887	
		1 / 1		REF.		400V-6.3mH-12A	
				REF.		(T-X010054)	

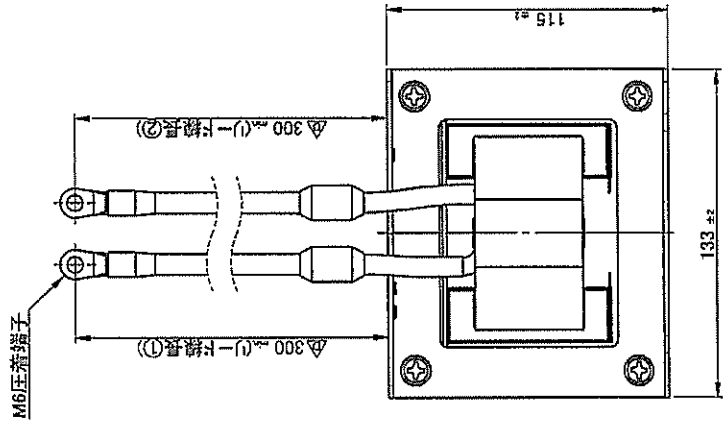
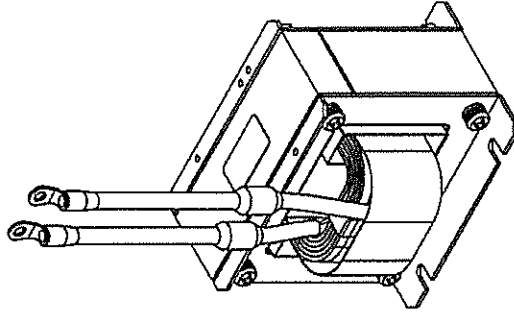
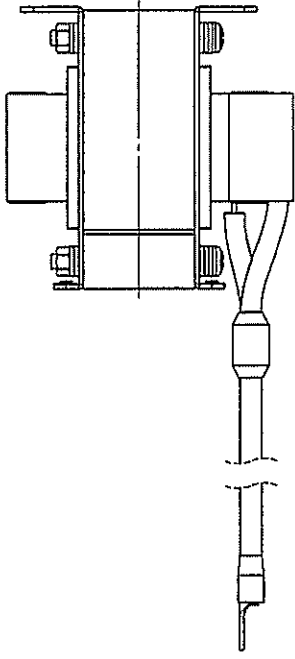
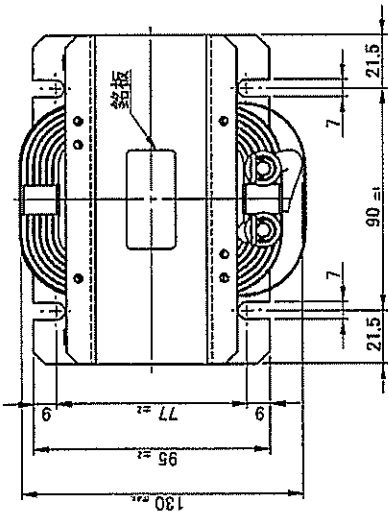


REV. NO.	REV. DATE	REV. REASON	REV. NAME	REV. NO.

TRX4-S0075	400V-3.6mH-23A (T-X010055)
E-K2-1121D	



SYMBOL	SYMBOL	SYMBOL	SYMBOL	SYMBOL	SYMBOL	SYMBOL	SYMBOL	SYMBOL	SYMBOL	SYMBOL	SYMBOL
TRN	TRN	TRN	TRN	TRN	TRN	TRN	TRN	TRN	TRN	TRN	TRN
DEC.	DEC.	DEC.	DEC.	DEC.	DEC.	DEC.	DEC.	DEC.	DEC.	DEC.	DEC.
CHD.	CHD.	CHD.	CHD.	CHD.	CHD.	CHD.	CHD.	CHD.	CHD.	CHD.	CHD.
APPL.	APPL.	APPL.	APPL.	APPL.	APPL.	APPL.	APPL.	APPL.	APPL.	APPL.	APPL.
SCALE	SCALE	SCALE	SCALE	SCALE	SCALE	SCALE	SCALE	SCALE	SCALE	SCALE	SCALE
1 / 1.5	1 / 1.5	1 / 1.5	1 / 1.5	1 / 1.5	1 / 1.5	1 / 1.5	1 / 1.5	1 / 1.5	1 / 1.5	1 / 1.5	1 / 1.5
REMARKS	REMARKS	REMARKS	REMARKS	REMARKS	REMARKS	REMARKS	REMARKS	REMARKS	REMARKS	REMARKS	REMARKS
400V-1.9mH-33A (T-X010056)	400V-1.9mH-33A (T-X010056)	400V-1.9mH-33A (T-X010056)	400V-1.9mH-33A (T-X010056)	400V-1.9mH-33A (T-X010056)	400V-1.9mH-33A (T-X010056)	400V-1.9mH-33A (T-X010056)	400V-1.9mH-33A (T-X010056)	400V-1.9mH-33A (T-X010056)	400V-1.9mH-33A (T-X010056)	400V-1.9mH-33A (T-X010056)	400V-1.9mH-33A (T-X010056)
NAME	NAME	NAME	NAME	NAME	NAME	NAME	NAME	NAME	NAME	NAME	NAME
TRX4-S0150	TRX4-S0150	TRX4-S0150	TRX4-S0150	TRX4-S0150	TRX4-S0150	TRX4-S0150	TRX4-S0150	TRX4-S0150	TRX4-S0150	TRX4-S0150	TRX4-S0150
DWG. NO.	DWG. NO.	DWG. NO.	DWG. NO.	DWG. NO.	DWG. NO.	DWG. NO.	DWG. NO.	DWG. NO.	DWG. NO.	DWG. NO.	DWG. NO.
E-K2-11213D	E-K2-11213D	E-K2-11213D	E-K2-11213D	E-K2-11213D	E-K2-11213D	E-K2-11213D	E-K2-11213D	E-K2-11213D	E-K2-11213D	E-K2-11213D	E-K2-11213D



図名 NAME	図番 NO.	部名 PARTS NO.	数量 QTY.	材料 MATERIAL	仕上 FINISH	備考 REMARKS	製 DATE	製 BY	製 CHKD.	製 APPD.	製 DEC.
TRX4-S0185							400/-1.3mmH-47A (T-X010177)		E-K2-11215D		
E-K2-11215D							SCALE 1 / 2		REV.		